

FRAME/BODY PANELS/EXHAUST SYSTEM

SEAT

REMOVAL

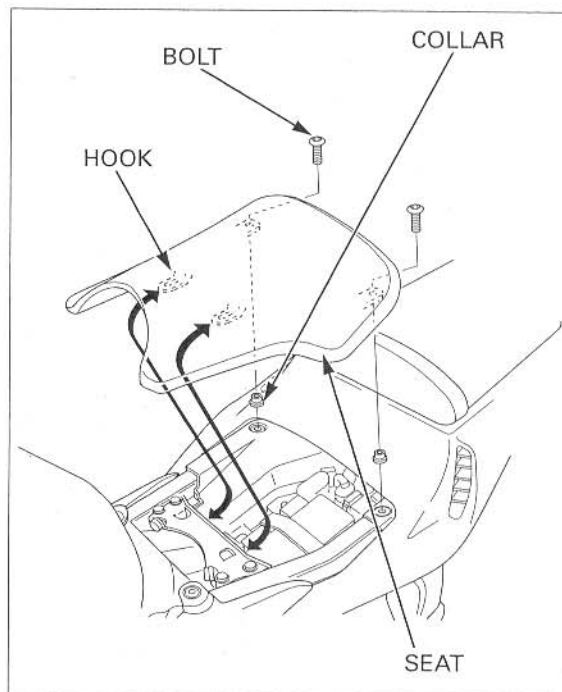
Remove the two seat mounting bolts and collars.

Remove the seat by pulling it backward.

INSTALLATION

Install the seat hooks under the fuel tank rear bracket.

Install the collars and seat mounting bolts.



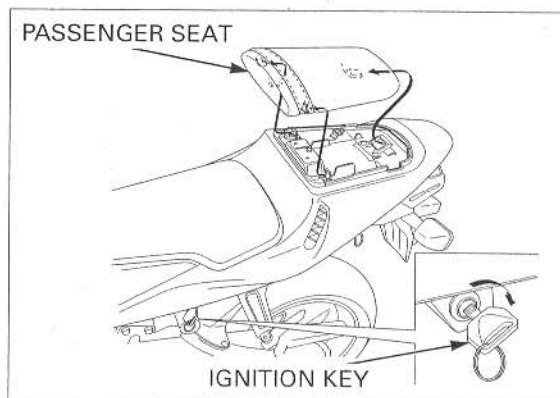
PASSENGER SEAT

REMOVAL/INSTALLATION

Unhook the passenger seat lock using the ignition key.

Remove the passenger seat by pulling it forward.

Install the passenger seat in the reverse order of removal.



SIDE COVERS

REMOVAL/INSTALLATION

Remove the seat (page 3-4).

Be careful not to damage tab and groove.

Remove the side cover by carefully releasing the bosses from the grommets and slide it forward.

Install the side cover in the reverse order of removal.

