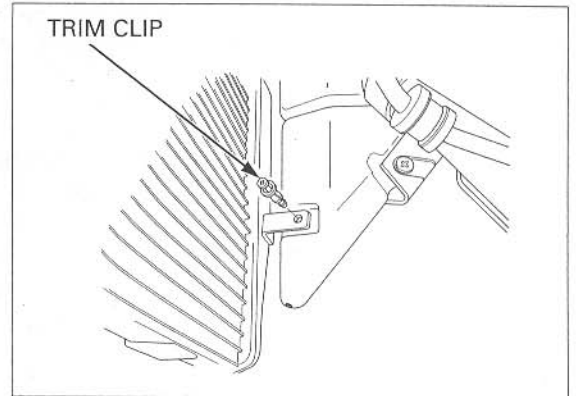


Install the trim clips and resonator chambers onto the radiator.

Install the following:

- Middle cowls (page 3-8)
- Lower cowls (page 3-6)

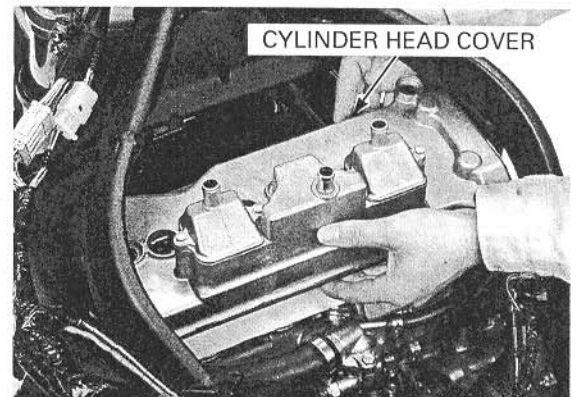


## VALVE CLEARANCE

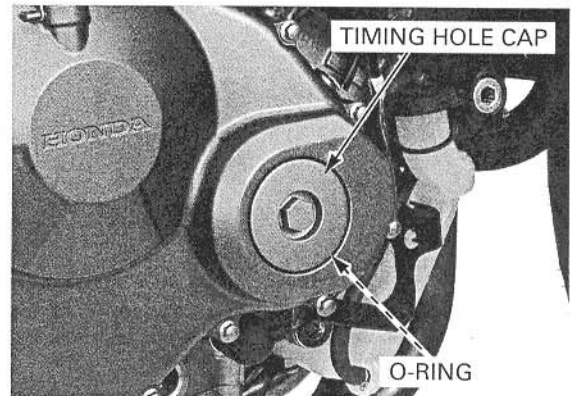
*Inspect and adjust the valve clearance while the engine is cold (below 35°C/95°F).*

### INSPECTION

Remove the cylinder head cover (page 9-6).



Remove the timing hole cap and O-ring.



Turn the crankshaft clockwise, align the "T" mark on the ignition pulse generator rotor with the index mark on the right crankcase cover.

