

REPLACEMENT

This motorcycle uses a drive chain with a staked master link.

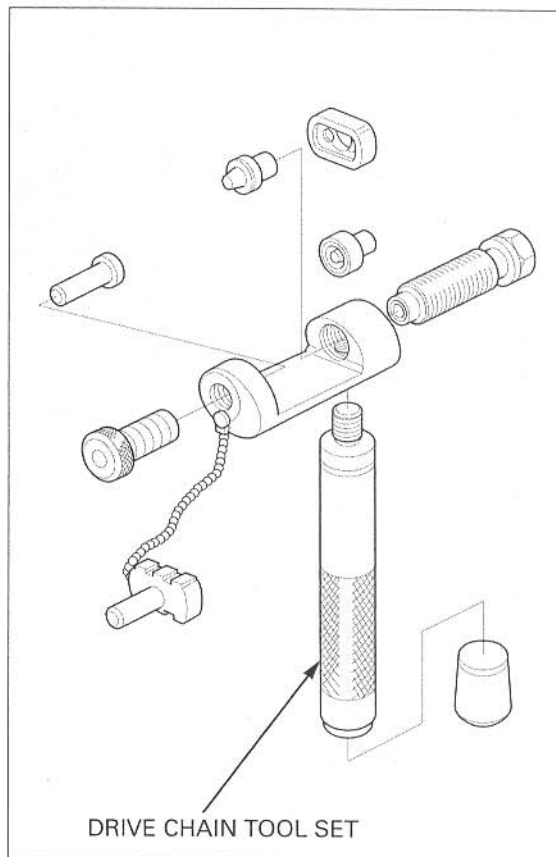
Loosen the drive chain (page 4-21).

Assemble the special tool as shown.

TOOL:
Drive chain tool set

**07HMH-MR10103 or
07HMH-MR1010C
(U.S.A. only)**

When using the special tool, follow the manufacturer's instruction.

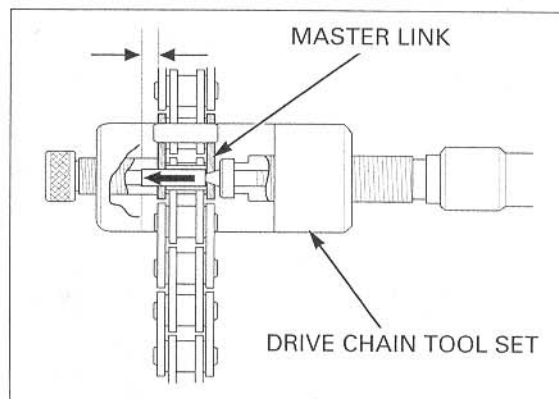


Locate the crimped pin ends of the master link from the outside of the chain, and remove the link with the drive chain tool set.

TOOL:
Drive chain tool set

**07HMH-MR10103 or
07HMH-MR1010C
(U.S.A. only)**

Remove the drive chain.



Include the master link when you count the drive chain links.

Remove the excess drive chain links from the new drive chain with the drive chain tool set.

STANDARD LINKS: 112 LINKS

REPLACEMENT CHAIN

DID: DID525HV-120ZB

RK: RK525ROZ1-120LJ-FZ

