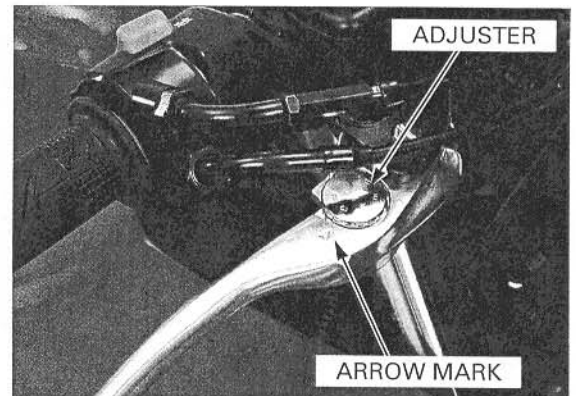


### BRAKE LEVER ADJUSTMENT

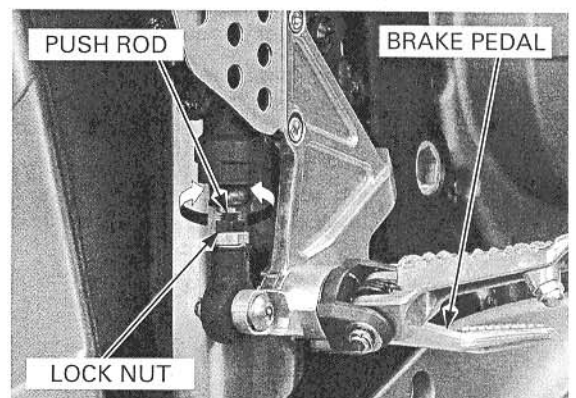
*Align the allow mark on the brake lever with the index number on the adjuster.*

The distance between the top of the brake lever and the grip can be adjusted by turning the adjuster.



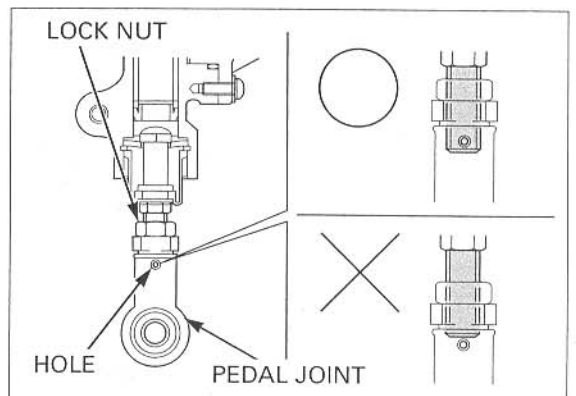
### BRAKE PEDAL HEIGHT ADJUSTMENT

Loosen the lock nut and turn the push rod until the correct pedal height is obtained.



Make sure the push rod threads can be seen through the pedal joint hole. After adjustment, tighten the lock nut to the specified torque.

**TORQUE: 18 N·m (1.8 kgf·m, 13 lbf·ft)**



### BRAKE LIGHT SWITCH

*The front brake light switch does not require adjustment.*

Adjust the brake light switch so that the brake light comes on just prior to the brake actually being engaged.

If the light fails to come on, adjust the switch so that the light comes on at the proper time.

Hold the switch body and turn the adjuster. Do not turn the switch body.

