

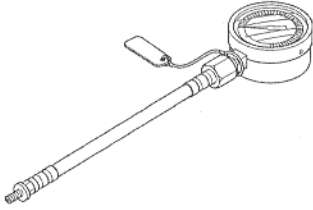
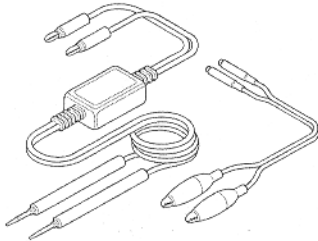
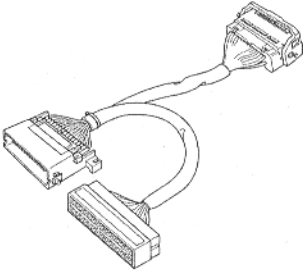
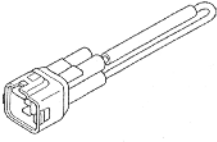
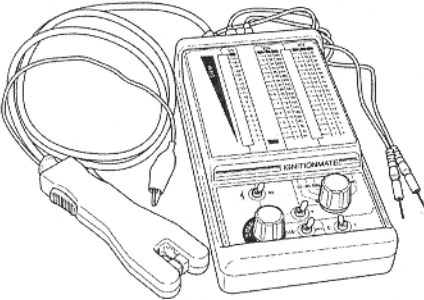
FUEL SYSTEM (Programmed Fuel Injection)

TORQUE VALUES

ECT (Engine Coolant Temperature) sensor	23 N·m (2.3 kgf·m, 17 lbf·ft)
Throttle body insulator band screw	See page 1-15
Starter valve synchronization plate screw	0.9 N·m (0.09 kgf·m, 0.7 lbf·ft)
Starter valve lock nut	1.8 N·m (0.18 kgf·m, 1.3 lbf·ft)
Fast idle wax unit link plate screw	0.9 N·m (0.09 kgf·m, 0.7 lbf·ft)
Fast idle wax unit mounting screw	4.9 N·m (0.5 kgf·m, 3.6 lbf·ft)
Fuel filler cap socket bolt	1.8 N·m (0.18 kgf·m, 1.3 lbf·ft)
Secondary injector bracket mounting bolt	5.4 N·m (0.55 kgf·m, 4 lbf·ft)
Fuel rail mounting bolt	9.8 N·m (1.0 kgf·m, 7 lbf·ft)
Fuel feed hose banjo bolt (fuel tank side)	22 N·m (2.2 kgf·m, 16 lbf·ft)
Fuel hose sealing nut (throttle body side)	22 N·m (2.2 kgf·m, 16 lbf·ft)
Fuel pump mounting nut	12 N·m (1.2 kgf·m, 9 lbf·ft)
O ₂ sensor (California type only)	25 N·m (2.6 kgf·m, 19 lbf·ft)

See page 1-16 for tightening sequence

TOOLS

<p>Fuel pressure gauge, 100 psi 07406-0040003</p>  <p>or 07406-0040002 or 07406-004000A (U.S.A. only)</p>	<p>Peak voltage adaptor 07HGJ-0020100 (not available in U.S.A.)</p>  <p>with commercially available digital multimeter (impedance 10 MΩ/DCV minimum)</p>	<p>ECM test harness 070MZ-0010200</p>  <p>(two required)</p>
<p>SCS service connector 070PZ-ZY30100</p> 	<p>Ignition Mate peak voltage tester MTP07-0286 (U.S.A. only)</p> 	<p>Vacuum gauge set 07LMJ-001000A</p> 