

FUEL SYSTEM (Programmed Fuel Injection)

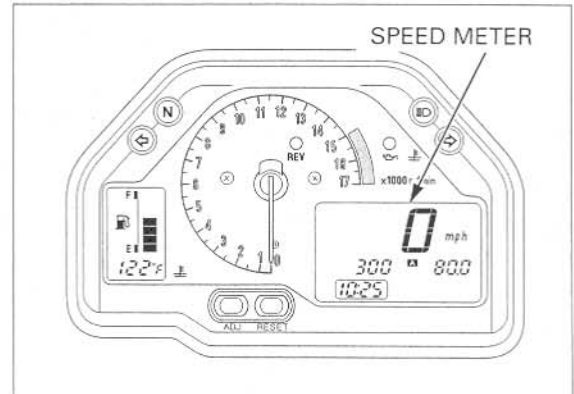
2. Combination Meter Inspection

Check for operation of speed meter.

Does the speed meter operate normally?

YES – Open or short circuit in the Pink/green wire

NO – GO TO STEP 3.



3. Vehicle Speed Sensor Input Voltage Inspection

Turn the ignition switch OFF.
Disconnect the vehicle speed sensor 3P connector.

Turn the ignition switch ON and engine stop switch "Q".

Measure the voltage at the wire harness side.

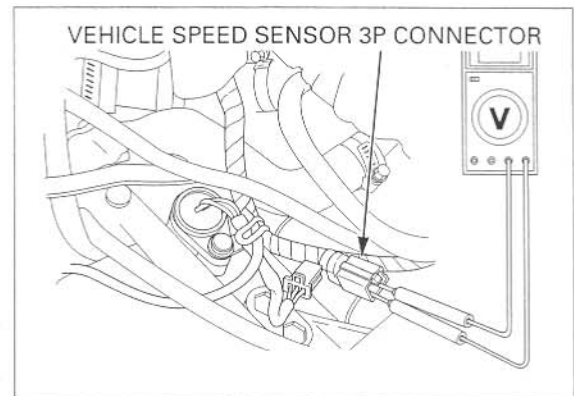
Connection: Black (+) – Green (-)

Is there battery voltage?

YES – GO TO STEP 4.

NO –

- Open circuit in the Black or Black/brown wire
- Open circuit in the Green or Green/black wire



4. Vehicle Speed Sensor Signal Line Short Circuit Inspection

Turn the ignition switch OFF.

Check for continuity between the test harness and the ground.

Connection: B25 – Ground

Is there continuity?

YES – Short circuit in the Pink or Pink/green wire

NO – Inspect the vehicle speed sensor (page 20-13)

