

FUEL SYSTEM (Programmed Fuel Injection)

DTC 11-1 (VEHICLE SPEED SENSOR)

- Before starting the inspection, check for loose or poor contact on the vehicle speed sensor connector and recheck the DTC.

1. Vehicle Speed Sensor System Inspection

Support the motorcycle securely and place the rear wheel off the ground.

Start the engine and shift the transmission into gear.

Check the vehicle speed sensor with the HDS at 10 km/h.

Is 10 km/h indicated?

- YES** –
- Intermittent failure
 - Loose or poor contact on the vehicle speed sensor connector

NO – GO TO STEP 2.

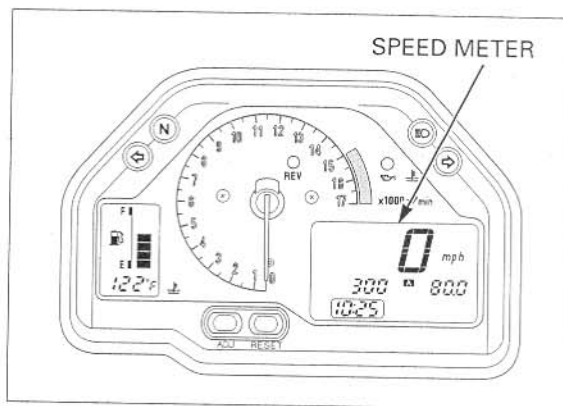
2. Combination Meter Inspection

Check for operation of speed meter.

Does the speed meter operate normally?

- YES** – Open or short circuit in the Pink/green wire

NO – GO TO STEP 3.



3. Vehicle Speed Sensor Input Voltage Inspection

Turn the ignition switch OFF.

Disconnect the vehicle speed sensor 3P connector.

Turn the ignition switch ON and engine stop switch "Q".

Measure the voltage at the wire harness side.

Connection: Black (+) – Green (-)

Is there battery voltage?

YES – GO TO STEP 4.

- NO** –
- Open circuit in the Black or Black/brown wire
 - Open circuit in the Green or Green/black wire

