

## EVAP PURGE CONTROL SOLENOID VALVE (California type only)

### REMOVAL/INSTALLATION

Remove the following:

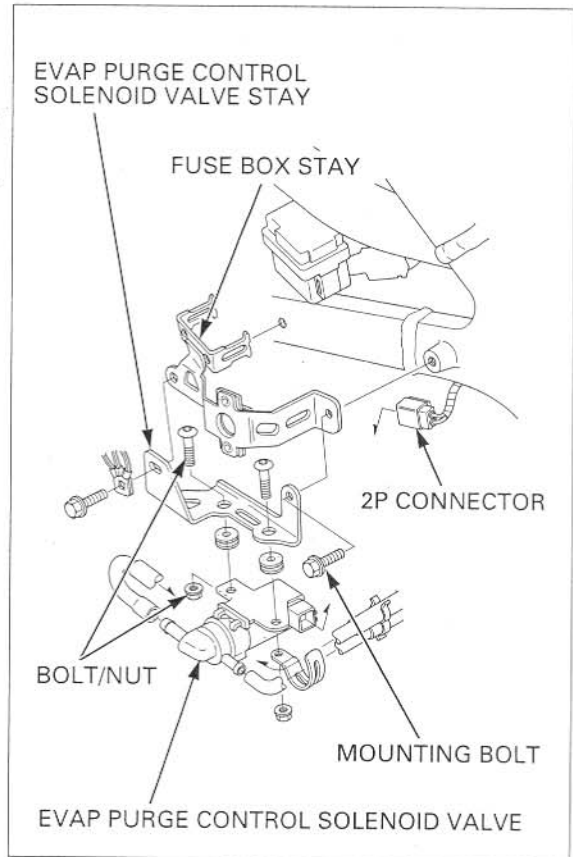
- Lower cowls (page 3-6)
- Middle cowls (page 3-7)

Remove the mounting bolts, fuse box stay and EVAP purge control solenoid valve stay.

Disconnect the hoses and 2P connector from the EVAP purge control solenoid valve.

Remove the bolts/nuts and EVAP purge control solenoid valve from the stay.

Installation in the reverse order of removal.



### INSPECTION

Remove the EVAP purge control solenoid valve.

Check that air should not flow (A) to (B), only when the 12V battery is connected to the EVAP purge control valve terminals.

