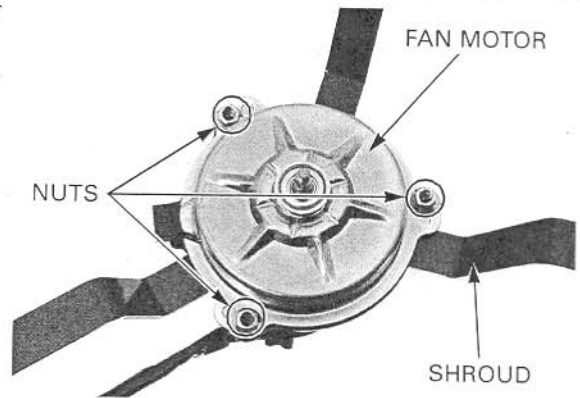


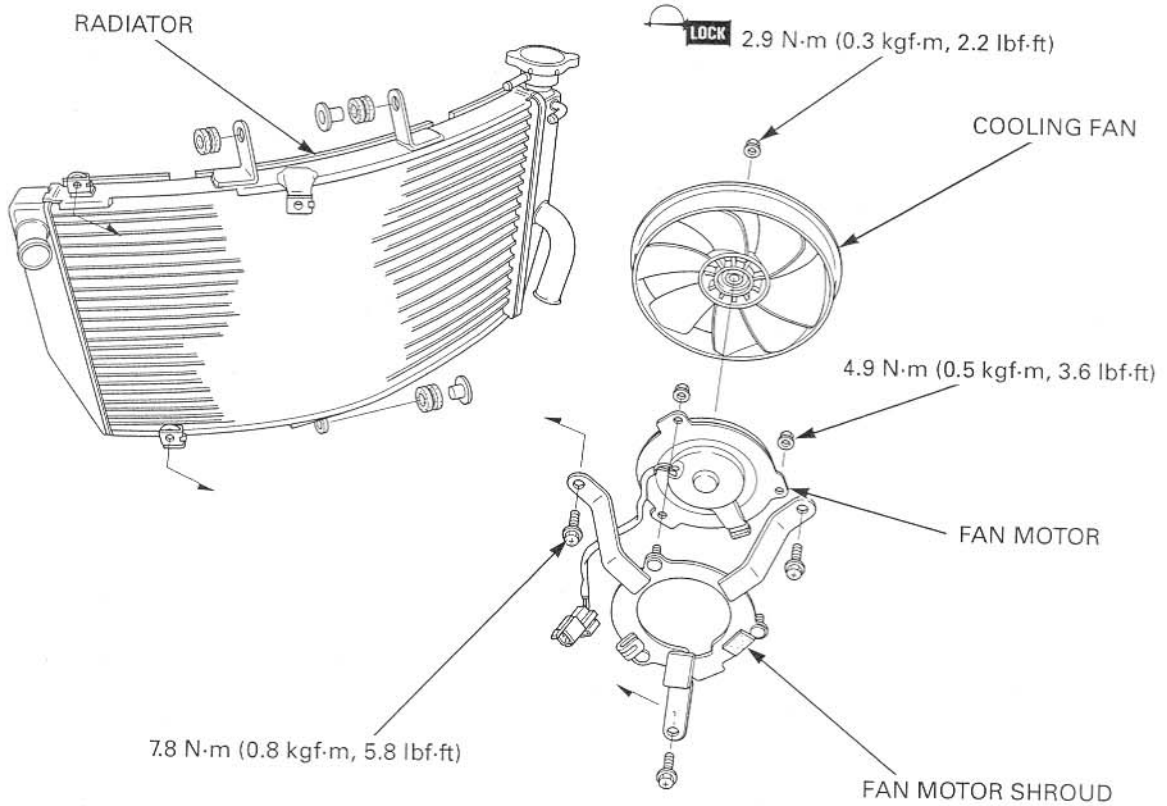
COOLING SYSTEM

Remove the nuts and fan motor from the fan motor shroud.

Refer to the fan control relay information (page 7-18).



ASSEMBLY



Install the fan motor onto the fan motor shroud and tighten the nuts to the specified torque.

TORQUE: 4.9 N·m (0.5 kgf·m, 3.6 lbf·ft)

Install the fan motor wire onto the wire clamp.

