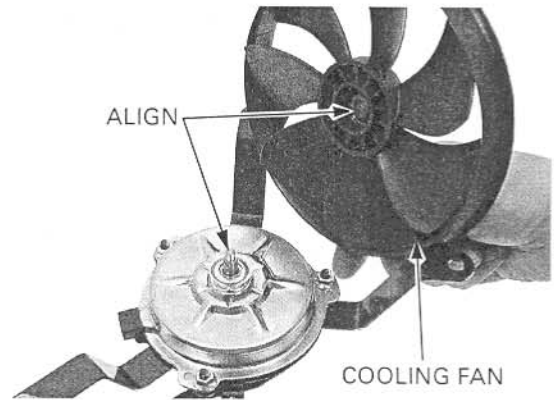


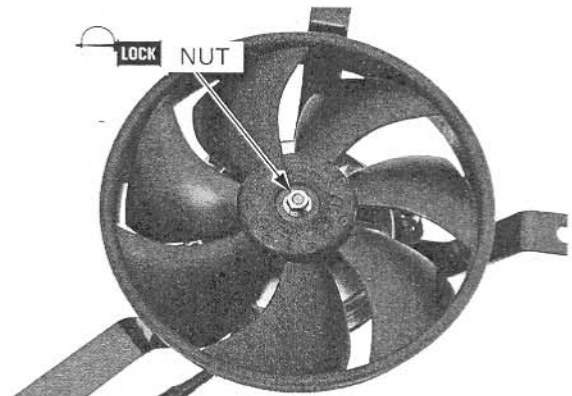
COOLING SYSTEM

Install the cooling fan onto the fan motor shaft by aligning the flat surfaces.



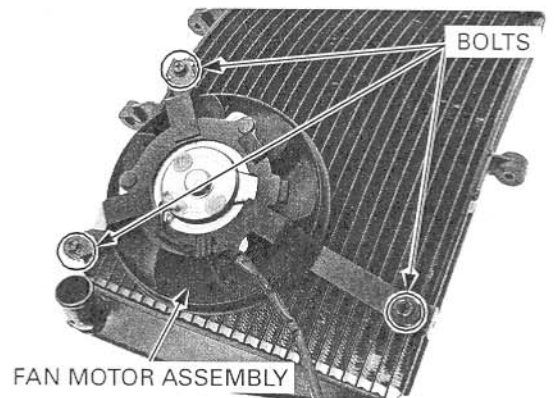
Apply a locking agent to the cooling fan nut threads. Install and tighten the nut to the specified torque.

TORQUE: 2.9 N·m (0.3 kgf·m, 2.2 lbf·ft)



Install the fan motor assembly onto the radiator. Install and tighten the three bolts to the specified torque.

TORQUE: 7.8 N·m (0.8 kgf·m, 5.8 lbf·ft)



INSTALLATION

Be careful not to damage the radiator fins.

Install the radiator assembly, aligning its upper grommet with the frame boss.

Install the washer, horn mounting stay and upper mounting bolt, then tighten the bolt.

Install the wire band.

