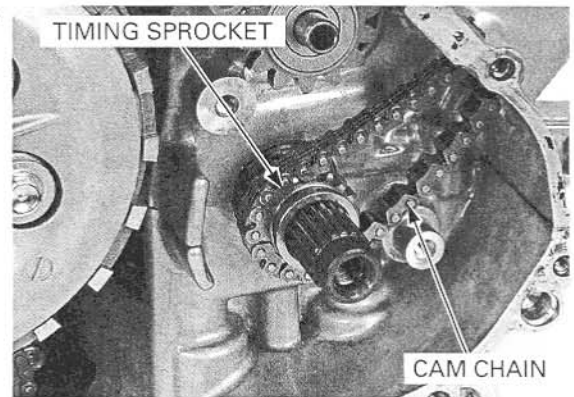


CYLINDER HEAD/VALVES

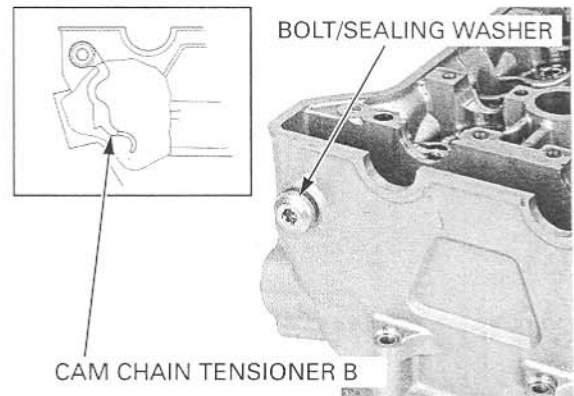
Remove the cam chain and timing sprocket from the crankshaft.



CYLINDER HEAD DISASSEMBLY

Remove the cylinder head (page 9-13).

Remove the bolt, sealing washer and cam chain tensioner B from the cylinder head.



Remove the spark plugs from the cylinder head.

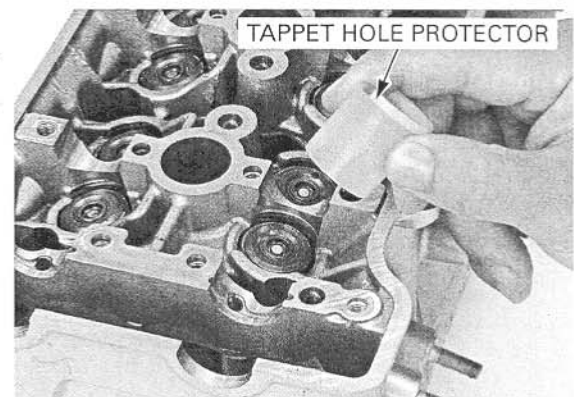
Install the tappet hole protector into the valve lifter bore.

TOOL:

Tappet hole protector

07HMG-MR70002

Not available in U.S.A.



An equivalent tool can easily be made from a plastic 35 mm film container as shown.

