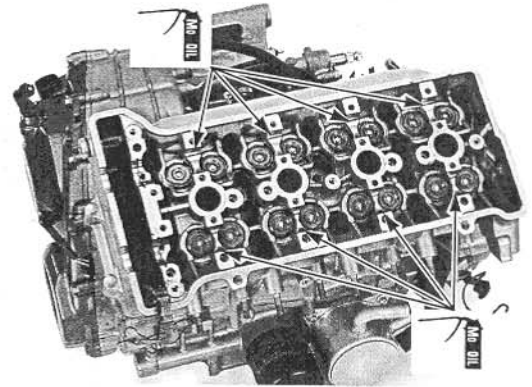


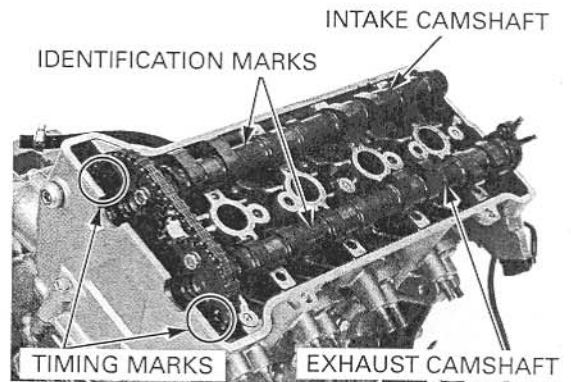
CYLINDER HEAD/VALVES

Apply molybdenum oil solution to the camshaft journal of the cylinder head.

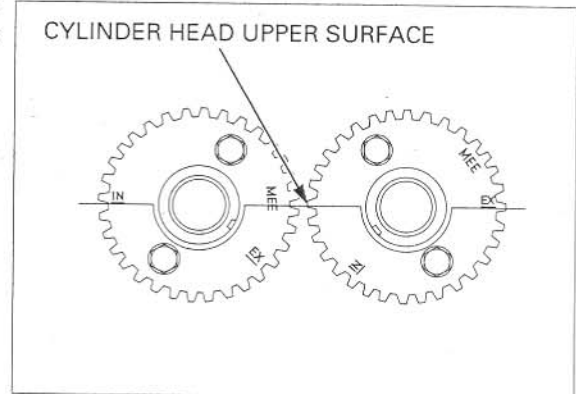


Install the cam chain over the cam sprockets and then install the intake and exhaust camshafts.

- Install the each camshaft to the correct locations with the identification marks.
"IN": Intake camshaft
"EX": Exhaust camshaft



- Make sure that the timing marks on the cam sprockets are facing outward and flush with the cylinder head upper surface as shown.



Coat new O-rings with oil and install them into the grooves in the camshaft holders.

Apply molybdenum oil solution to the camshaft journals of the camshaft holders.

