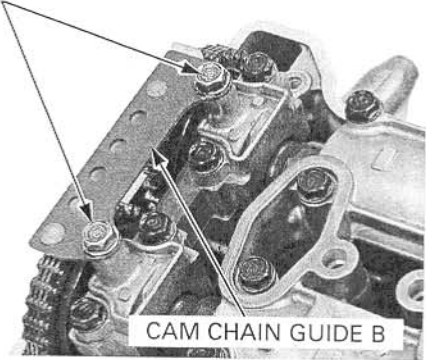


## CYLINDER HEAD/VALVES

Install the cam chain guide B, and tighten the bolts.

BOLTS

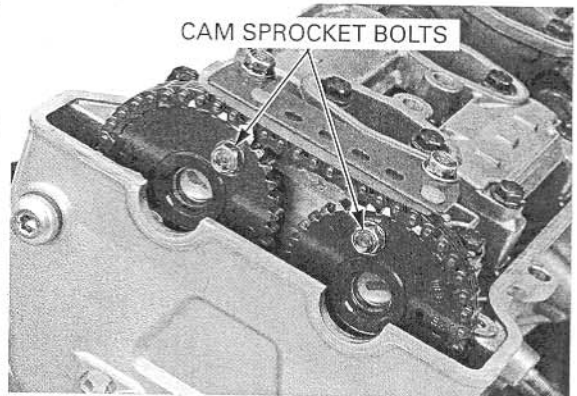


In case the cam sprockets were removed, tighten the cam sprocket bolts to the specified torque.

**TORQUE: 20 N·m (2.0 kgf·m, 14 lbf·ft)**

Turn the crankshaft clockwise one full turn (360°) and tighten the other cam sprocket bolts.

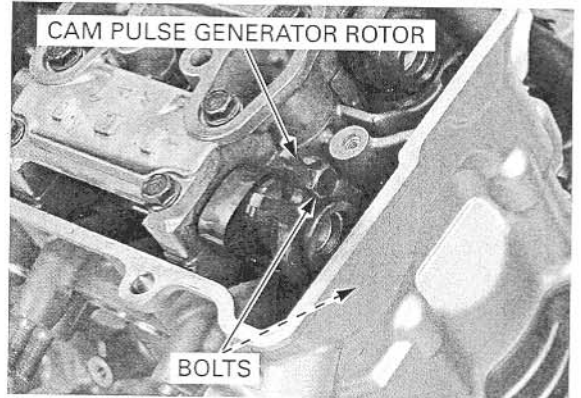
CAM SPROCKET BOLTS



In case the cam pulse generator rotor was removed, tighten the cam pulse generator rotor bolts to the specified torque.

**TORQUE: 12 N·m (1.2 kgf·m, 9 lbf·ft)**

CAM PULSE GENERATOR ROTOR



Remove the special tool from the cam chain tensioner lifter.

