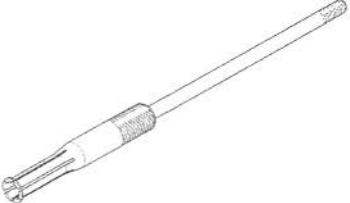
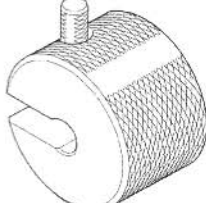
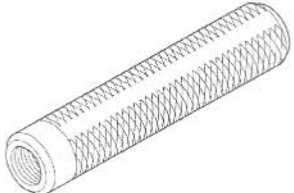
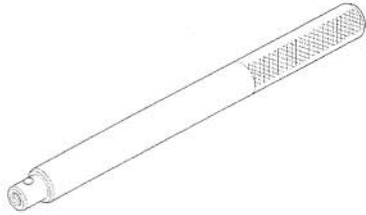
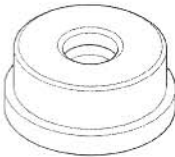



CRANKCASE/TRANSMISSION

TOOLS

<p>Bearing remover set, 20 mm 07936-3710600</p> 	<p>Remover weight 07741-0010201</p>  <p>or 07936-371020A (U.S.A. only)</p>	<p>Remover handle 07936-3710100</p> 
<p>Driver 07949-3710001</p> 	<p>Attachment, 42 x 47 mm 07746-0010300</p> 	<p>Pilot, 20 mm 07746-0040500</p> 

TROUBLESHOOTING

Hard to shift

- Improper clutch operation
- Incorrect engine oil weight
- Bent shift fork
- Bent shift fork shaft
- Bent shift fork claw
- Damaged shift drum cam groove
- Bent gearshift spindle

Transmission jumps out of gear

- Worn gear dogs
- Worn gear shifter groove
- Bent shift fork shaft
- Broken shift drum stopper arm (page 10-23)
- Broken shift drum stopper arm spring (page 10-23)
- Worn or bent shift forks
- Broken gearshift spindle return spring (page 10-23)

Excessive engine noise

- Worn or damaged transmission gear
- Worn or damaged transmission bearings