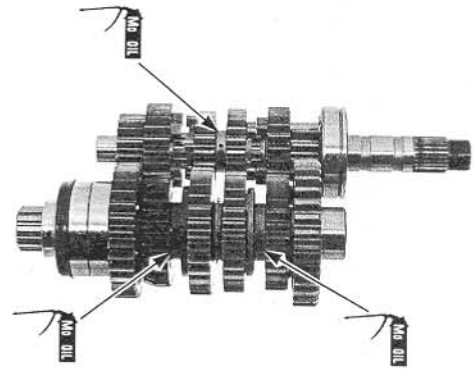


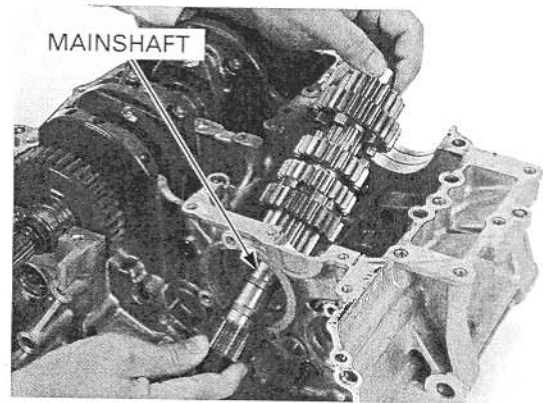
CRANKCASE/TRANSMISSION

INSTALLATION

Apply molybdenum oil solution to the shift fork grooves in the M3/4, C5 and C6 gear.

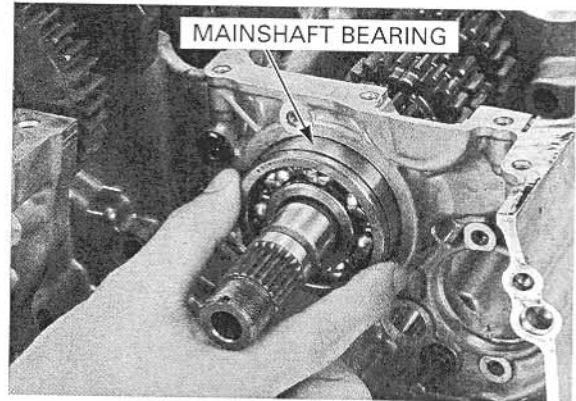


Install the mainshaft into the crankcase.



Install the bearing into the crankcase with the marked side facing out.

Install the mainshaft bearing into the crankcase.



Apply a locking agent to the set plate bolt threads. Install the mainshaft bearing set plate with its "OUT SIDE" mark facing out.

Tighten the set plate bolts to the specified torque.

TORQUE: 12 N·m (1.2 kgf·m, 9 lbf·ft)

