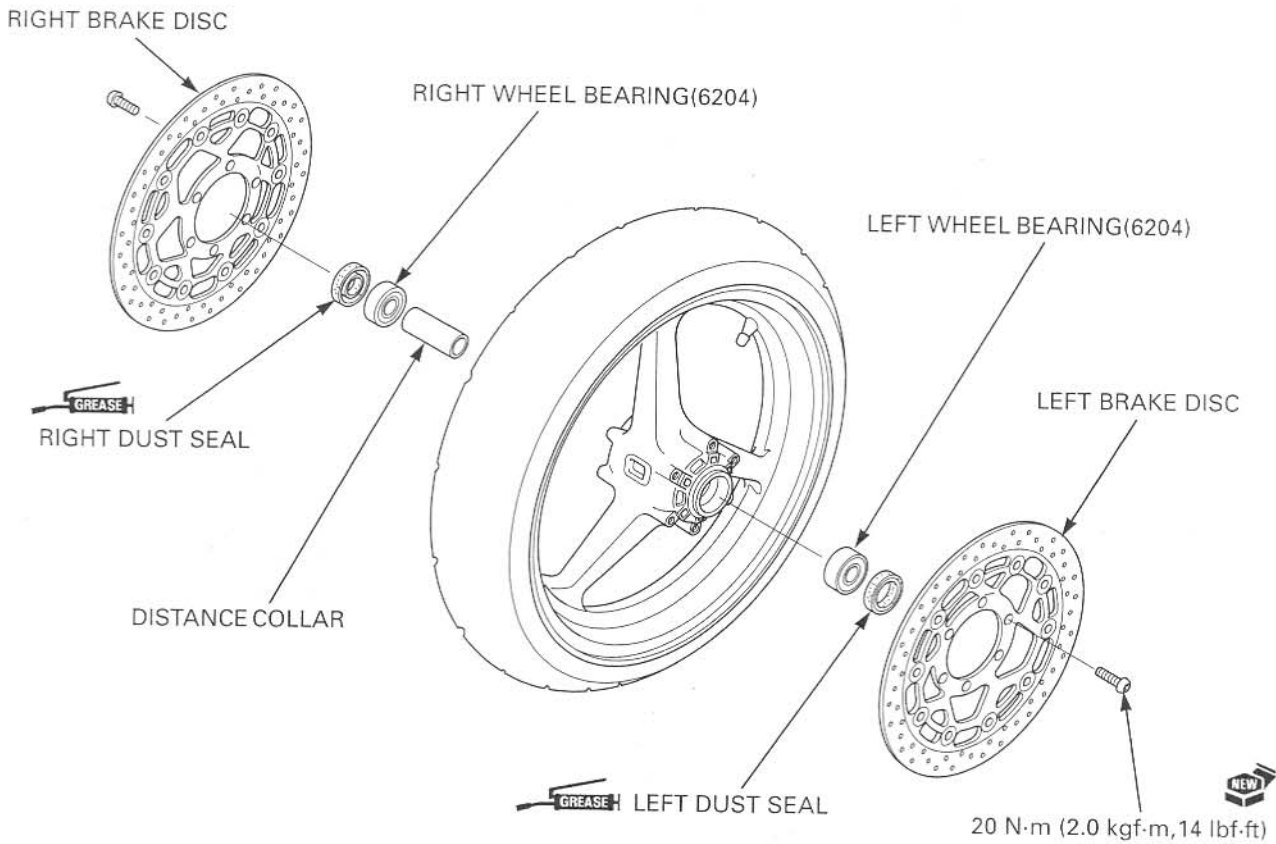


FRONT WHEEL/SUSPENSION/STEERING

ASSEMBLY

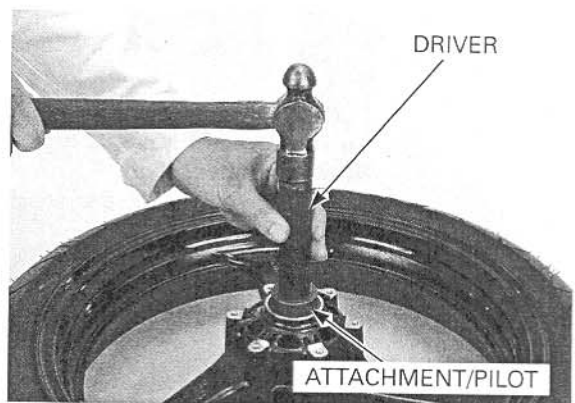


Never install the old bearings. Once the bearings has been removed, the bearings must be replaced with new ones.

Drive in a new right bearing squarely. Install the distance collar, then drive in the left bearing using the special tools.

TOOLS:

- | | |
|-------------------------------|---------------|
| Driver | 07749-0010000 |
| Attachment, 42 X 47 mm | 07746-0010300 |
| Pilot, 22 mm | 07746-0041000 |



Do not get grease on the brake discs or stopping power will be reduced.

Install the brake discs with the arrow mark facing in the normal rotating direction. Install new disc bolts and tighten them in a criss-cross pattern in two or three steps.

TORQUE: 20 N·m (2.0 kgf·m, 14 lbf·ft)

Apply grease to the dust seal lips, then install them into the wheel hub.

