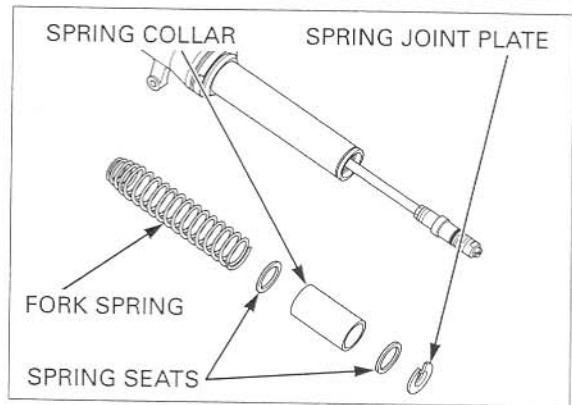


FRONT WHEEL/SUSPENSION/STEERING

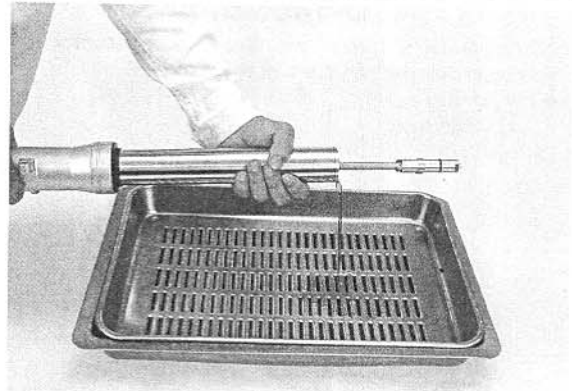
Remove the following:

- Spring joint plate
- Spring collar
- Spring seats
- Fork spring



Pour out the fork fluid by pumping the fork tube several times.

Pour out the fork fluid from the fork damper by pumping the damper rod several times.

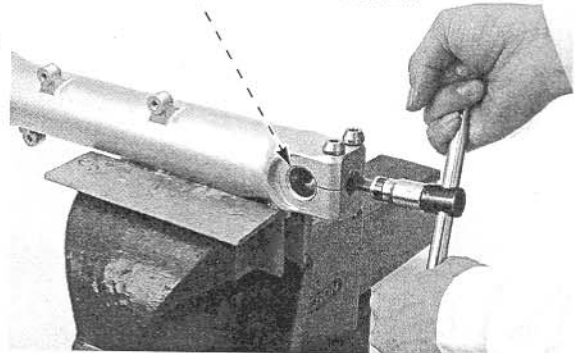


Hold the fork slider in a vice with soft jaws or a shop towel.

If the fork damper turns together with the socket bolt, temporarily install the fork spring, spring seats, collar, joint plate and fork bolt.

Remove the fork damper socket bolt and sealing washer.

SOCKET BOLT/SEALING WASHER



Remove the fork damper assembly from the fork tube.

