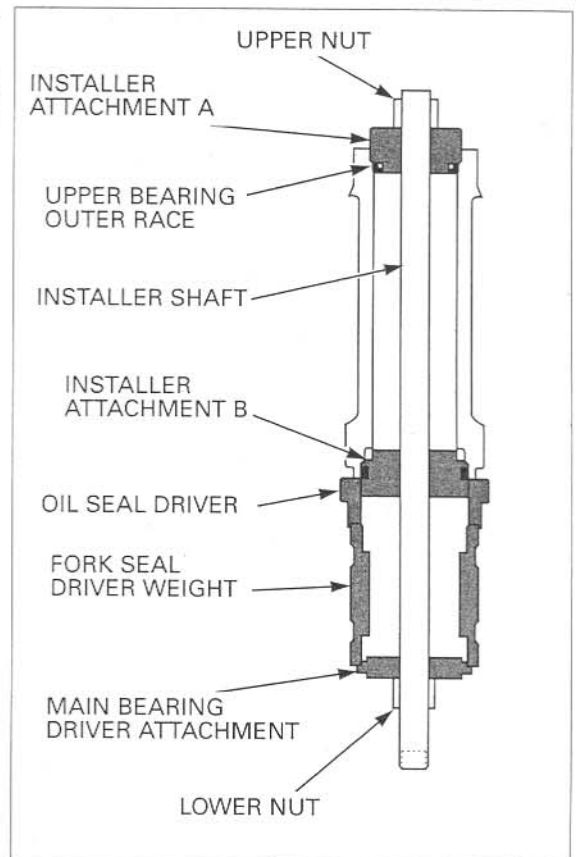


FRONT WHEEL/SUSPENSION/STEERING

Install a new upper bearing outer race and the special tools as shown.

While holding the installer shaft with the wrench, turn the lower nut gradually until the groove in the steering head. This will allow you to install the upper bearing outer race.



Install a new lower bearing outer race and the special tools as shown.

While holding the installer shaft with the wrench, turn the upper nut gradually until the groove in the installer attachment B aligns with the lower end of the steering head. This will allow the installation of the lower bearing outer race.

