

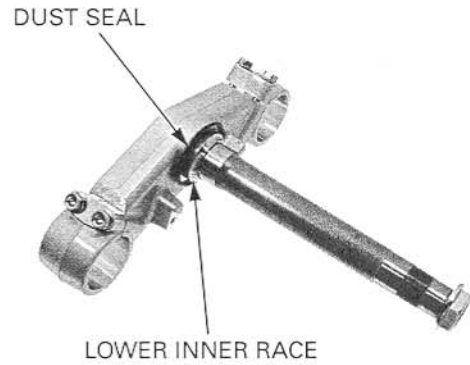
FRONT WHEEL/SUSPENSION/STEERING

LOWER INNER RACE REPLACEMENT

Temporarily install the steering stem nut onto the stem to prevent the threads from being damaged when removing the lower bearing inner race from the stem.

Remove the lower bearing inner race with a chisel or equivalent tool, being careful not to damage the stem.

Remove the dust seal.



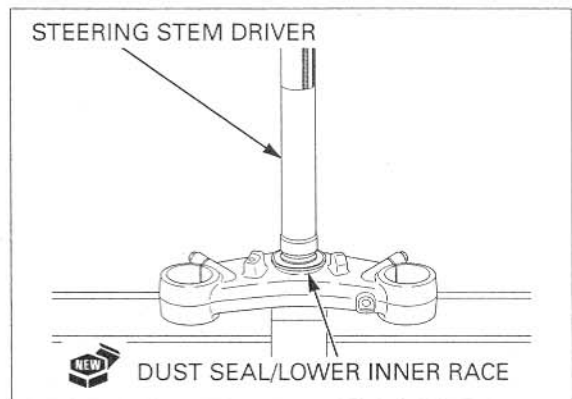
Apply grease to a new dust seal lips and install it over the steering stem.

Install a new lower bearing inner race using a special tool and a hydraulic press.

TOOL:

Steering stem driver

07946-MB00000



INSTALLATION

