

## REAR WHEEL/SUSPENSION

Press the driven flange collar out of the driven flange bearings.

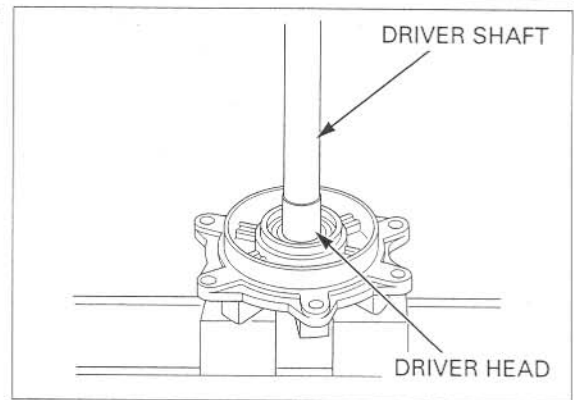
**TOOLS:**

Driver shaft

07946-MJ00100

Driver head

07946-MJ00201



Drive out the driven flange bearings using the special tools.

**TOOLS:**

Driver

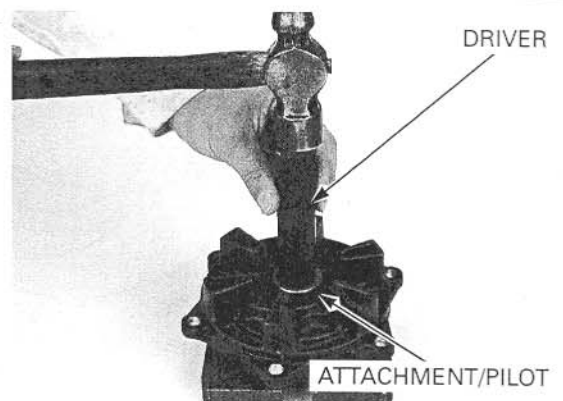
07749-0010000

Attachment, 40 X 42 mm

07746-0010900

Pilot, 28 mm

07JAD-PH80400



### Wheel bearing removal

Install the bearing remover head into the bearing. From the opposite side, install the bearing remover shaft and drive the bearing out of the wheel hub. Remove the distance collar and drive out the other bearing.

**TOOLS:**

Bearing remover head, 25 mm 07746-0050800

Bearing remover shaft 07GGD-0010100

