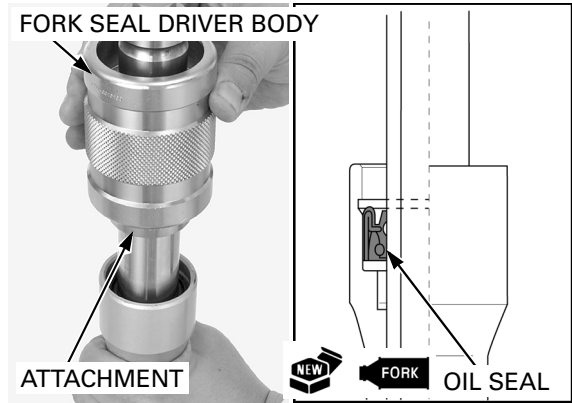


## FRONT WHEEL/SUSPENSION/STEERING

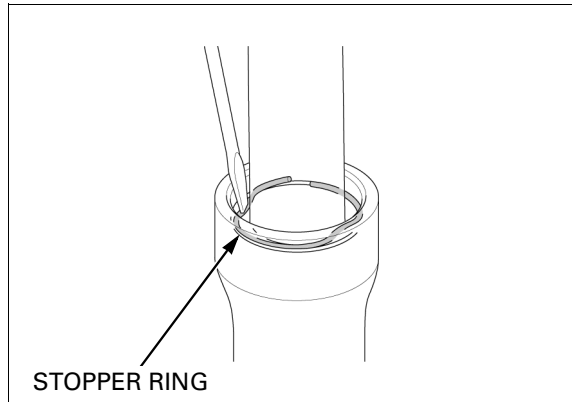
Coat a new oil seal lip with fork fluid and install it into the fork slider using the special tools until it is fully seated.

### TOOLS:

**Fork seal driver body**                    **07747-0010100**  
**Fork seal driver attachment**        **07747-0010400**

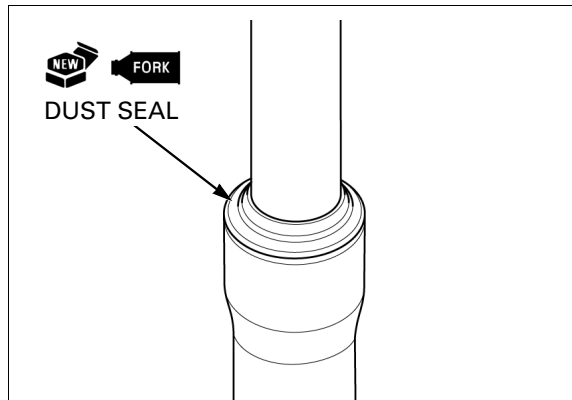


*Be careful not to scratch the fork pipe.* Install the stopper ring into the groove on the fork slider.



Apply fork fluid to a new dust seal lip.

*Do not tap the oil seal lip too hard.* Install the dust seal until it is fully seated on the fork slider.



Pour the specified amount of fork fluid into the fork pipe.

### FORK FLUID CAPACITY:

**$89.0 \pm 1.0 \text{ cm}^3$  (3.01  $\pm$  0.03 US oz, 3.13  $\pm$  0.04 Imp oz)**

Slowly pump the fork pipe several times to remove trapped air from the lower portion of the fork pipe.

