

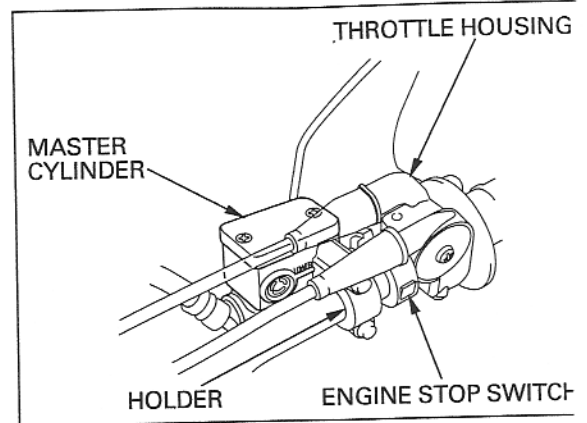
FRONT WHEEL/SUSPENSION/STEERING

Remove the screws, bracket and engine stop switch.

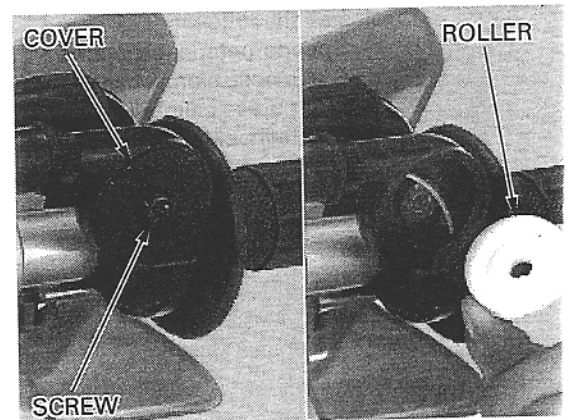
Remove the bolts, master cylinder holder and master cylinder from the handlebar.

NOTE:

- Do not hang the brake master cylinder by the brake hose.
- It is not necessary to disconnect the brake hose.



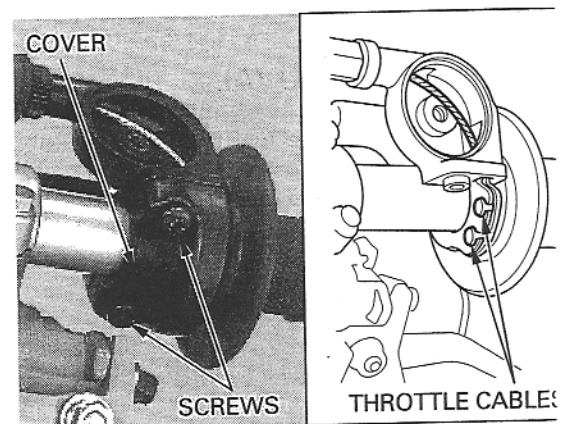
Remove the screw and throttle cable roller cover. Remove the cable roller.



Remove the screws and throttle housing cover.

Slide the throttle adjuster cover down. Loosen the throttle cable adjuster and disconnect the throttle cables from the throttle pipe.

Remove the throttle grip from the handlebar.



Remove the handlebar holder bolts, upper holders and handlebar.

