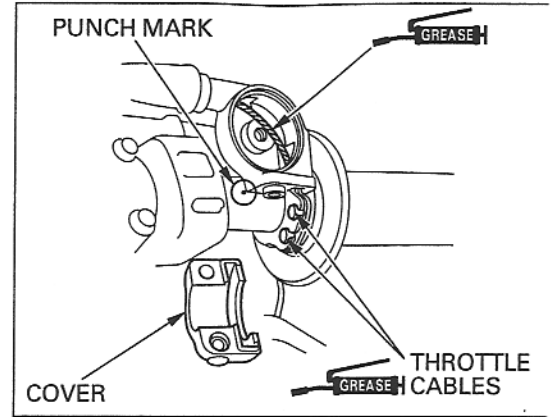


## FRONT WHEEL/SUSPENSION/STEERING

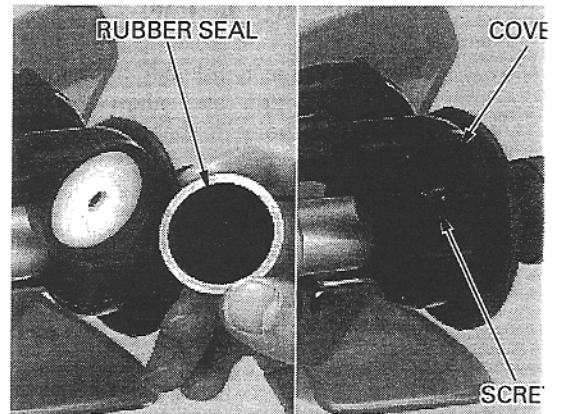
Apply grease to the sliding area of the throttle cable end and cable roller sliding area.  
Connect the throttle cable to the throttle grip.

Install the throttle housing cover.  
Align the sprit line of the throttle housing with the punch mark on the handlebar.  
Tighten the forward screw first, then tighten the rear screw.



Apply grease to the sliding area of the cable roller and insert it into the throttle housing.

Check the rubber seal for fatigue or damage.  
Install the throttle cable roller cover and tighten the screw.

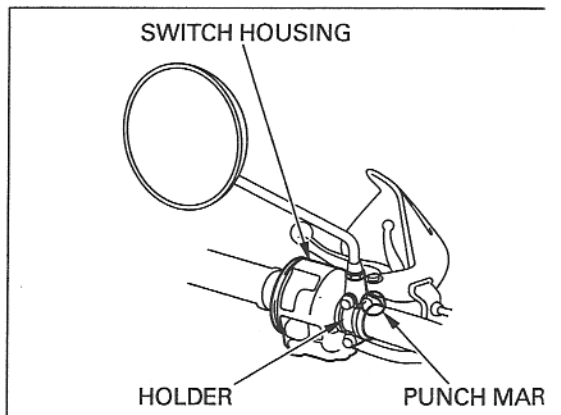


Install the left handlebar switch housing onto the handlebar, aligning the locating pin with the hole in the handlebar.

Install the screws and tighten the forward screw first, then tighten the rear screw.

Install the clutch lever bracket and holder.  
Align its slit with the punch mark on the handlebar and tighten the upper bolt first, then tighten the lower bolt.

**TORQUE:** 10 N·m (1.0 kgf·m, 7 lbf·ft)



Secure the wires with the wire bands.  
Install the fuel tank breather tube into the steering stem.

Adjust the throttle grip free play (page 3-5).

